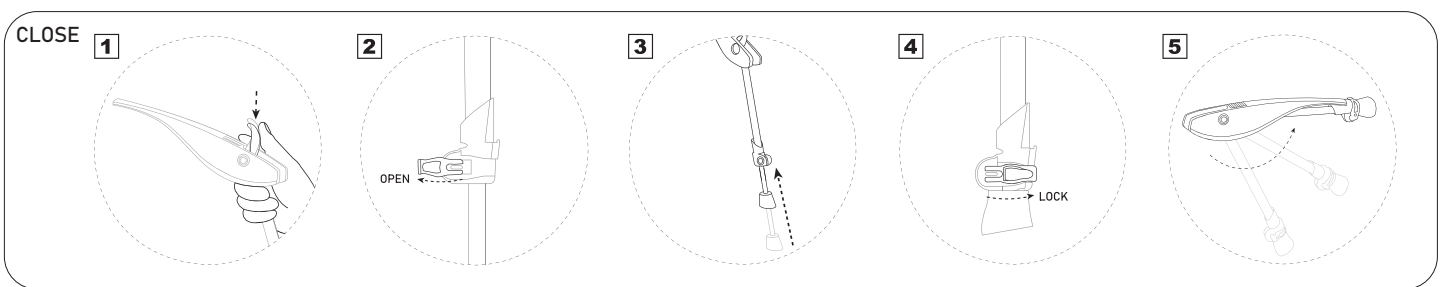
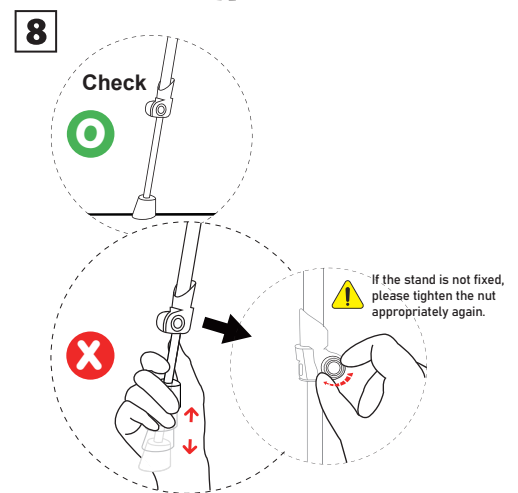
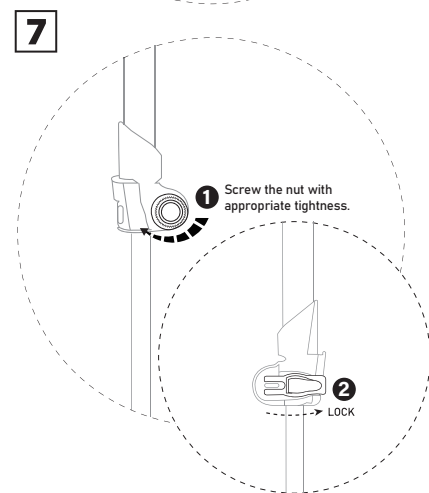
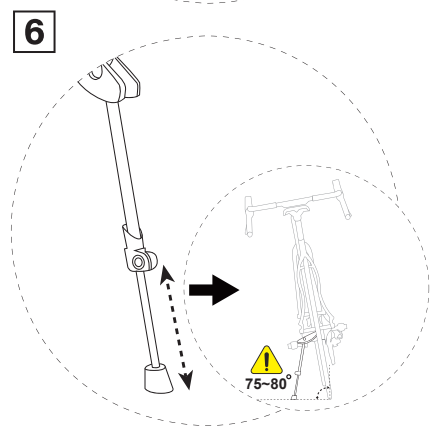
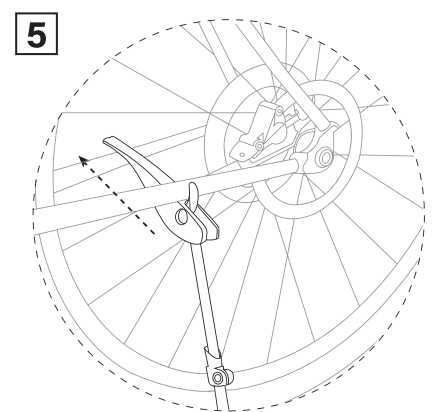
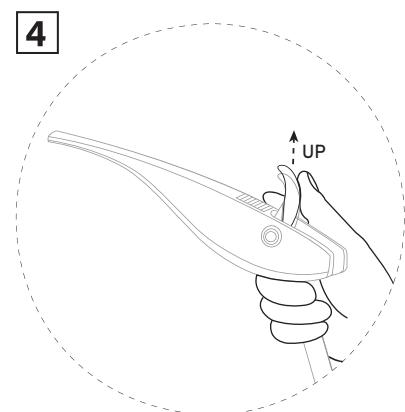
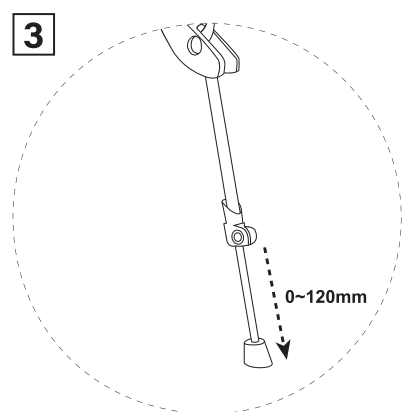
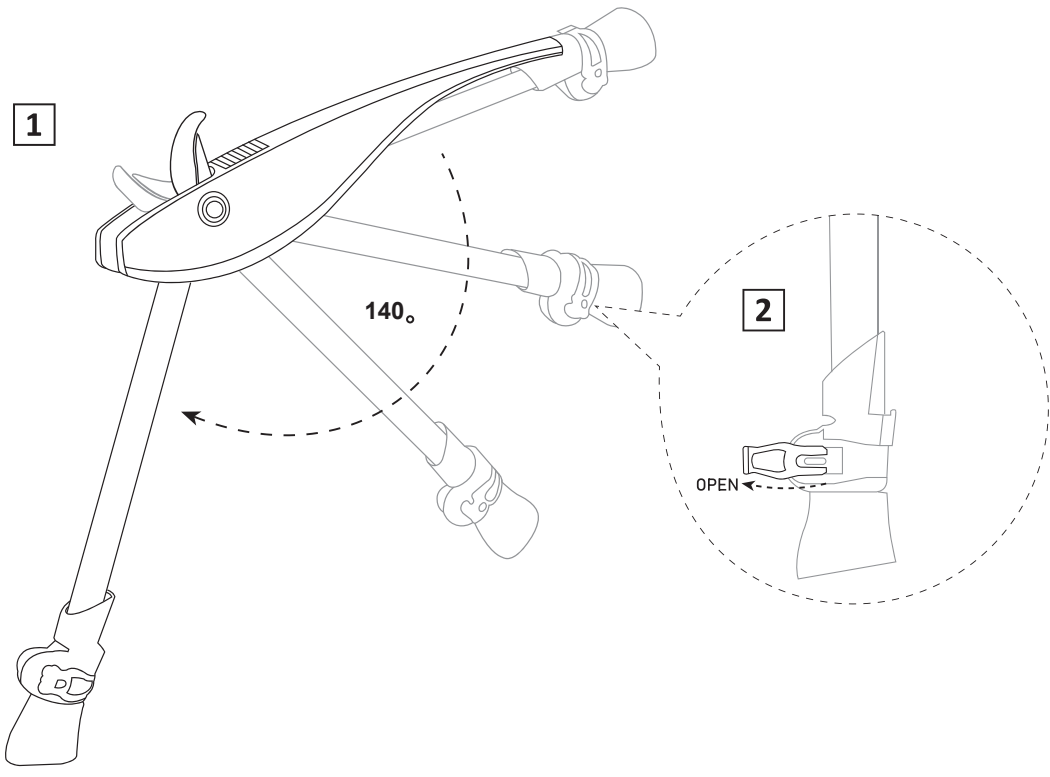


Chain stay
 $\varnothing 16\text{-}22(\text{mm})$

GRAVEL

ROAD

15KG
 Max weight





PRECAUTIONS

· Road restrictions



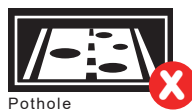
Flat asphalt road



Smooth floor



Uneven



Pothole

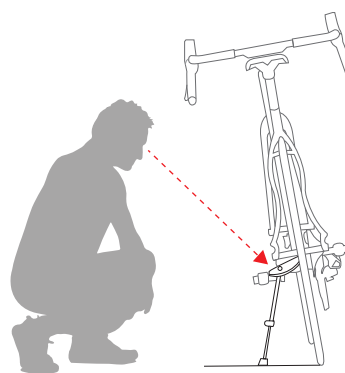


Slope

「SW-KS-111」 can only be used on the ground with friction, if it is used on other ground, there is a danger of the bicycle falling down and damage.

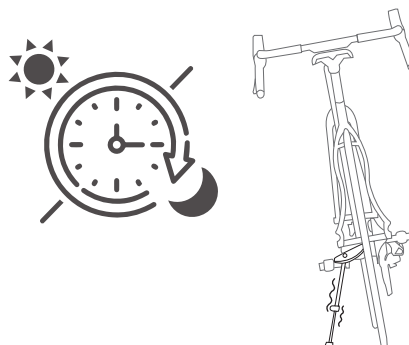
· Confirm stability

The user must confirm that the 「SW-KS-111」 is standing stably before leaving.

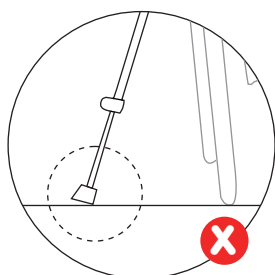
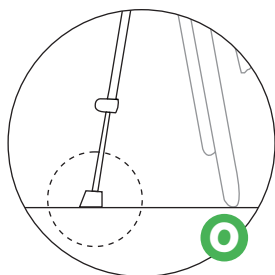


· Short-term use

「SW-KS-111」 is only for short-term use and is not suitable for long-term parking.



Foot pads should be level with the ground.



The parking rack is at a 90-degree angle to the chainstays.

